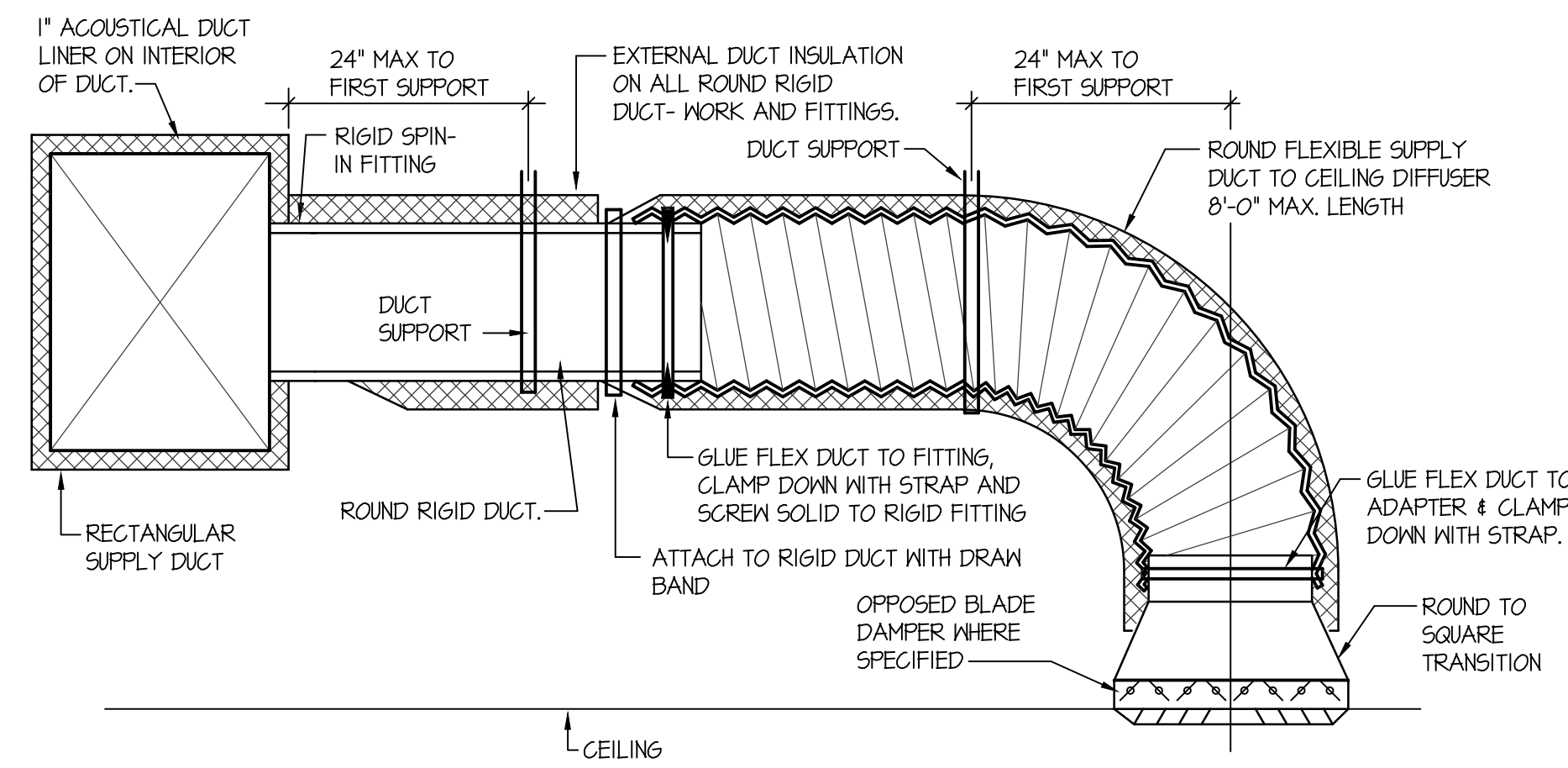


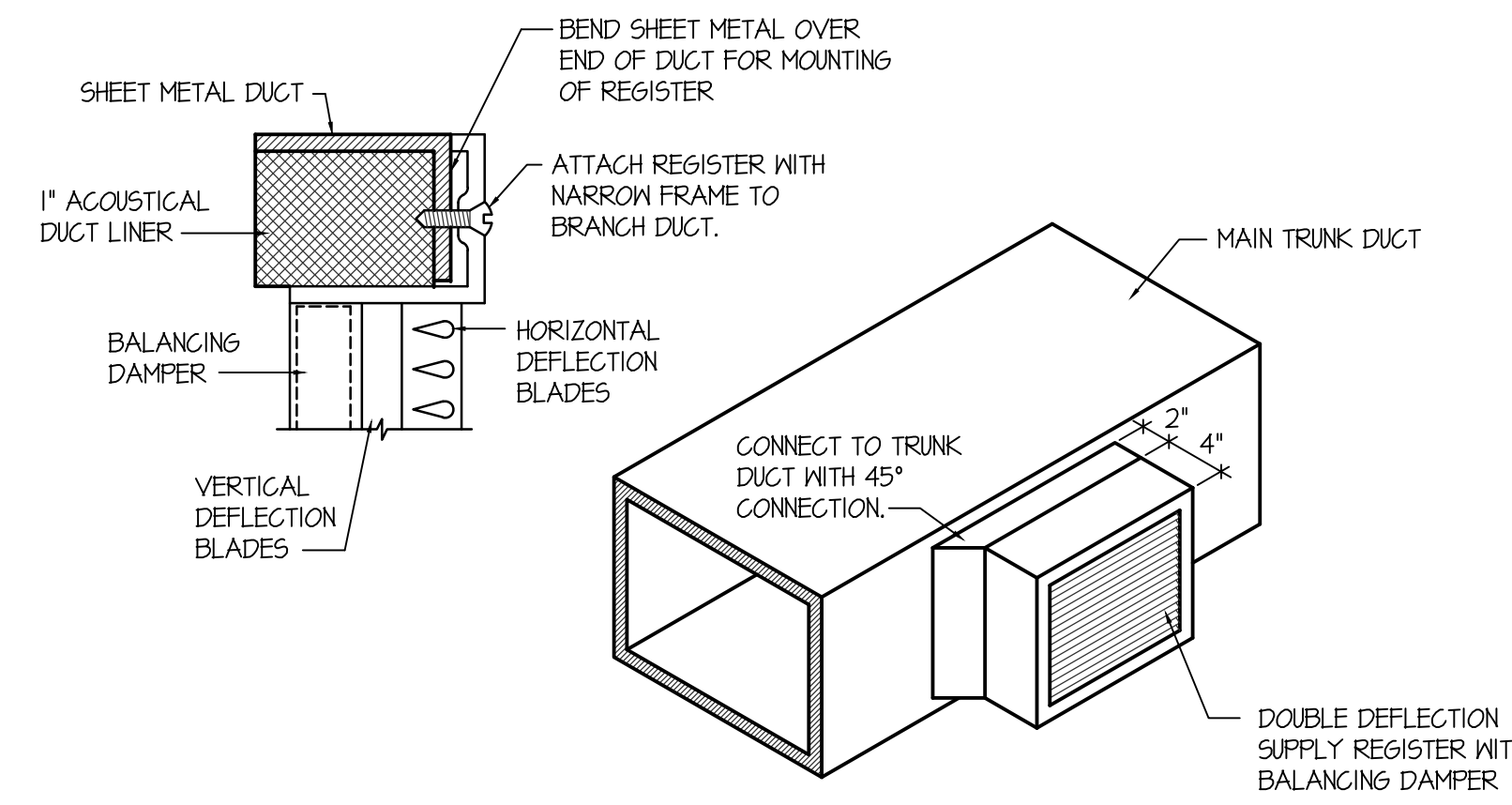
EXHAUST FAN SCHEDULE									
SYM.	TYPE	C.F.M.	S.P.E.	H.P.	CHAR.	R.P.M.	CONTROL	REMARKS	
EF-1	ROOF MOUNTED	500	.40	1/4 H.P.	120/60/1	1125	TIMECLOCK SEE ELECT.	TWIN CITY 085C BCRD WITH FACTORY MOUNTED ROOF CURB TO MATCH SLOPE OF ROOF.	
EF-2	IN-LINE	1000	.60	1/4 H.P.	120/60/1	1100	TIMECLOCK SEE ELECT.	TWIN CITY MODEL B51 120 IN-LINE FAN. CONNECT TO EXHAUST DUCTS AS SHOWN ON PLAN.	

ELECTRIC HEATER SCHEDULE						
SYM.	TYPE	BTU	KVA	CHAR.	CONTROL	REMARKS
EH-1	RECESSED WALL MOUNTED	255A	.75	120/60/1	INTEGRAL T-STAT	GMARK TYPE 6FRI500T2 RECESSED WALL HEATER
EH-2	RECESSED WALL MOUNTED	255A	.75	120/60/1	INTEGRAL T-STAT	GMARK TYPE 6FRI500T2 RECESSED WALL HEATER

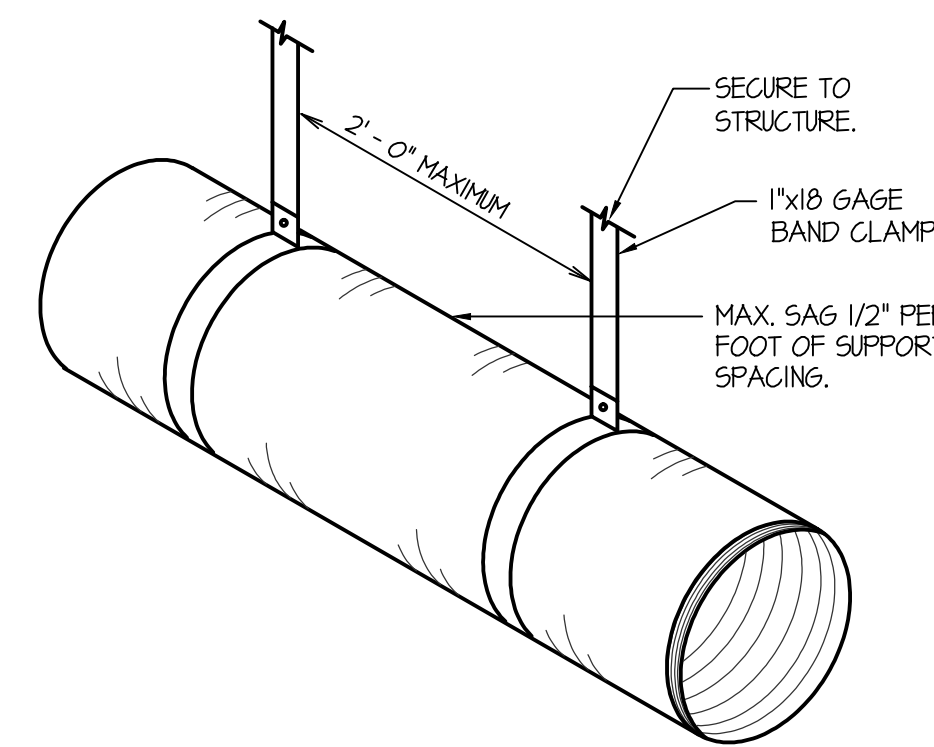
GRILLE AND REGISTER SCHEDULE									
SYM.	TYPE	SIZE	CFM RANGE	THROW PATTERN	CONSTR.	FINISH	BALANCING DAMPER	FIRE DAMPER	REMARKS
D-1 CFM	CEILING	4x4	110-280	⬇	STEEL	COLOR BY ARCH.	YES	NA	PRICE MODEL SMD WITH BEVELED FRAME
D-2 CFM	CEILING	12x12	300-400	⬇	STEEL	COLOR BY ARCH.	YES	NA	PRICE MODEL SMD WITH BEVELED FRAME
SR-1 CFM	SIDEWALL	12x8	200-300	NA	STEEL	COLOR BY ARCH.	YES	NA	PRICE MODEL 520 D WITH FLANGE FRAME
SR-2 CFM	SIDEWALL	18x8	500-600	NA	STEEL	COLOR BY ARCH.	YES	NA	PRICE MODEL 520 D WITH FLANGE FRAME
R-1	CEILING	18x18	1600	NA	STEEL	COLOR BY ARCH.	NA	NA	PRICE MODEL 80H EGGCRATE GRILLE
EG-1 CFM	CEILING	8x8	100	NA	STEEL	COLOR BY ARCH.	YES	NA	PRICE MODEL 535
EG-2 CFM	CEILING	10x10	200-300	NA	STEEL	COLOR BY ARCH.	YES	NA	PRICE MODEL 535
EL-1	EXHAUST LOUVER	24x20	1000	NA	ALUM.	ALUM.	NA	NA	AMERICAN WARMING LE-3IBD WITH BACKDRAFT DAMPER ASSEMBLY



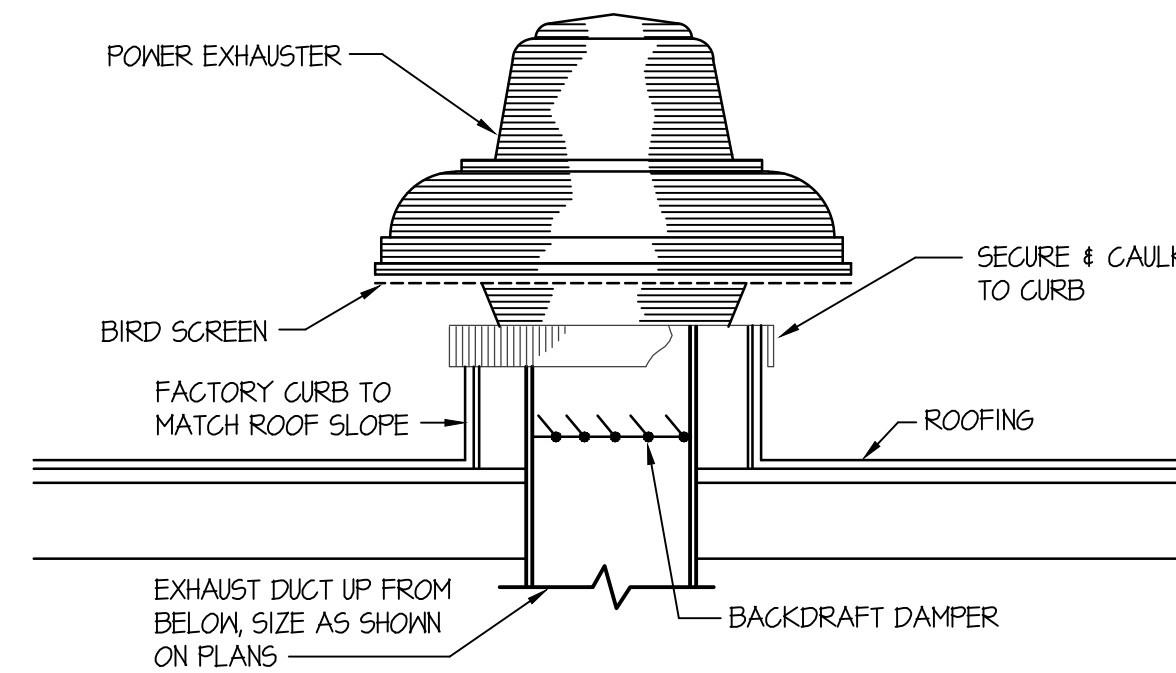
CEILING DIFFUSER DETAIL WITH FLEXIBLE DUCT
NO SCALE



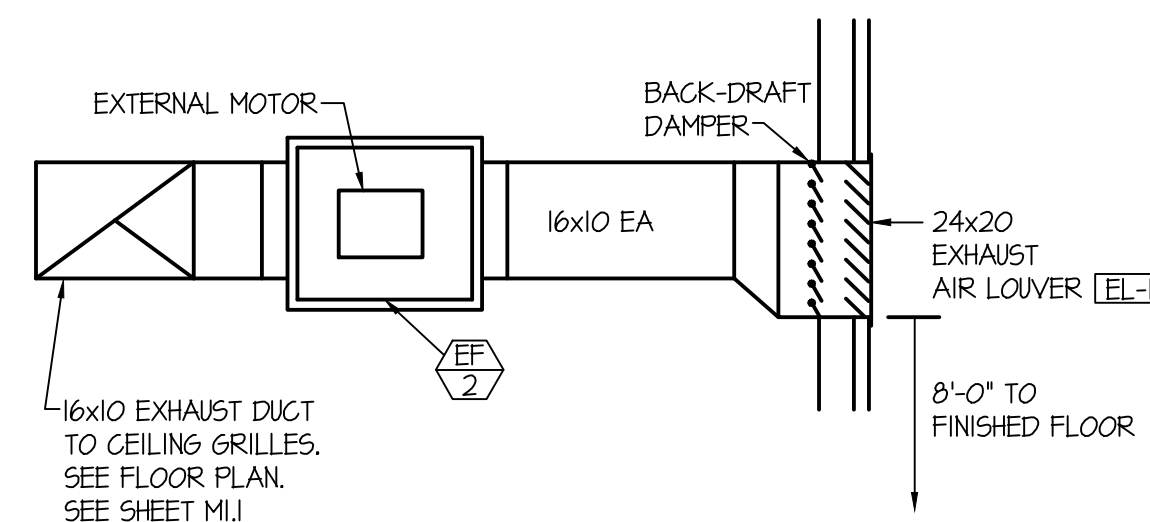
SIDEWALL REGISTER CONNECTION DETAIL
NO SCALE



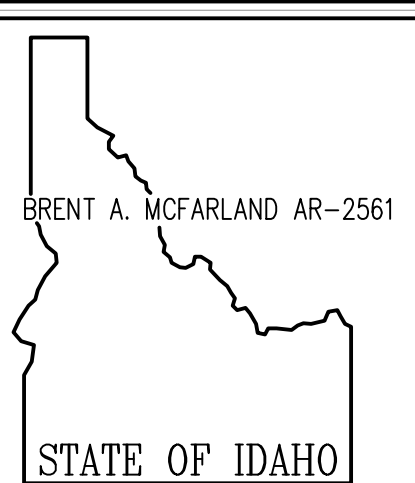
FLEXIBLE DUCT SUPPORT DETAIL
NO SCALE



ROOF TOP EXHAUST FAN DETAIL
NO SCALE



FLEXIBLE DUCT SUPPORT DETAIL
NO SCALE



BRENT A. MCFARLAND AR-2561



CONSULTANTS:
MECHANICAL ENGINEERING
ENGINEERED SYSTEMS ASSOC.
1355 East Center
Pocatello, Idaho 83201
(208) 233-0501
Fax (801) 233-0529
ELECTRICAL ENGINEERING
PAYNE ENGINEERING INC.
1823 E. Center St.
Pocatello, Idaho 83201
(208) 232-4439
Fax (208) 232-1435

PROJECT: WORLD GYM REMODEL
IDAHO FALLS, IDAHO
DRAWING TITLE: MECHANICAL DETAILS & SCHEDULES

#	DATE	COMMENT

REVISION:

DRAWN BY: SR JOB NO: 756
CHECKED BY: DCS DATE: OCT. '18
PLOT DATE: 09-26-18

ORIGINAL DRAWING SIGNED BY: DWAYNE G. SUDWEEKS
DATE ORIGINAL SIGNED: Oct 03, 2018
ORIGINAL ON FILE AT ENGINEERED SYSTEMS ASSOCIATES
1355 EAST CENTER, POCATELLO, IDAHO 83201

Engineered Systems Associates
1355 EAST CENTER
POCATELLO, IDAHO 83201
PHONE: (208) 233-0501
FAX: (208) 233-0529
EMAIL: esa@engsystems.com
ESA JOB NUMBER: 18061

PROFESSIONAL ENGINEER REGISTERED 5762
STATE OF IDAHO DWAYNE G. SUDWEEKS

DRAWING NO. M2.0
FILE: 18061 M2.0.dwg
OF -